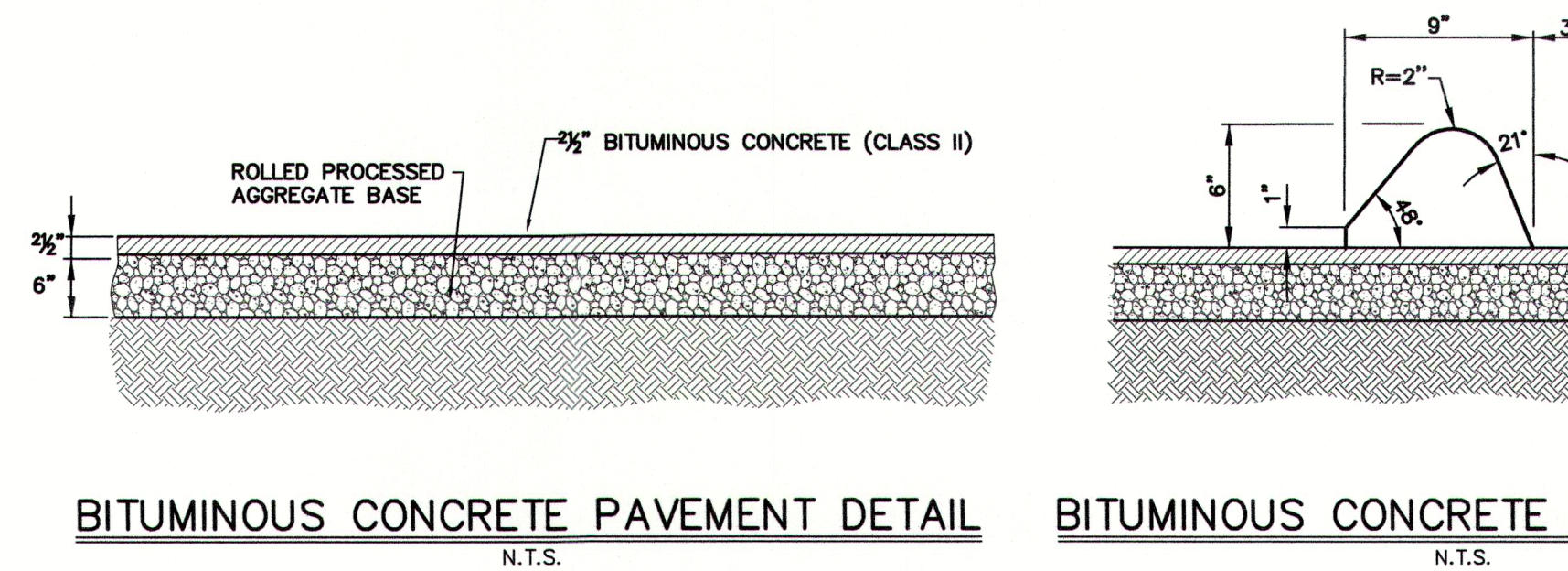
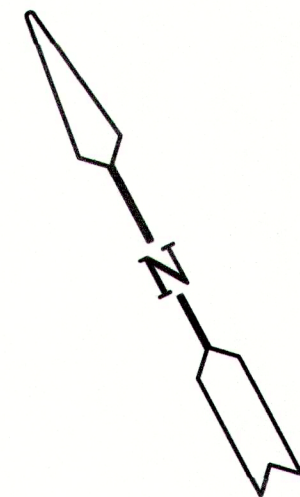


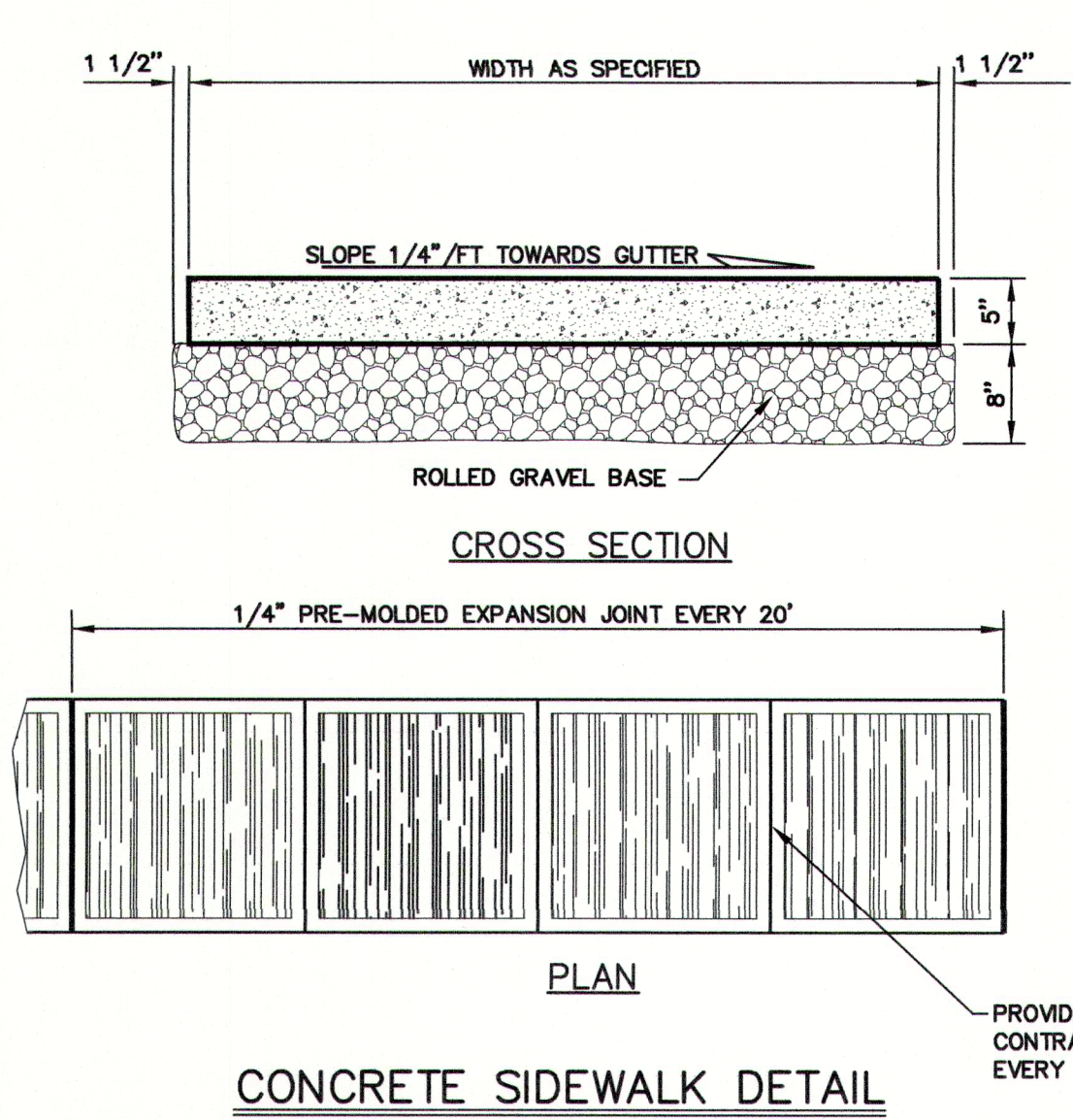
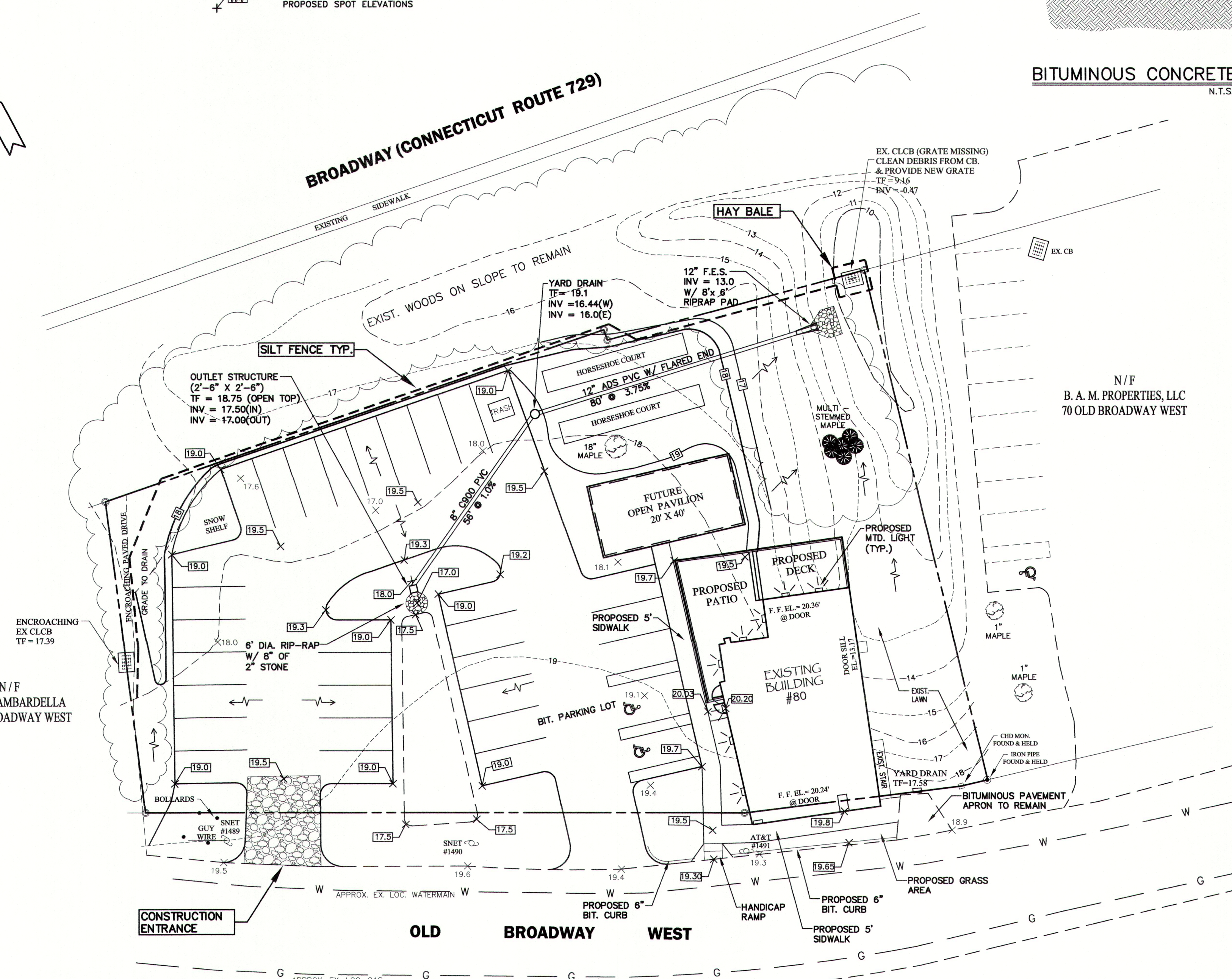
**LEGEND**

- EXISTING CONTOURS
- PROPOSED CONTOURS
- + #.# EXISTING SPOT ELEVATIONS
- + #.# PROPOSED SPOT ELEVATIONS

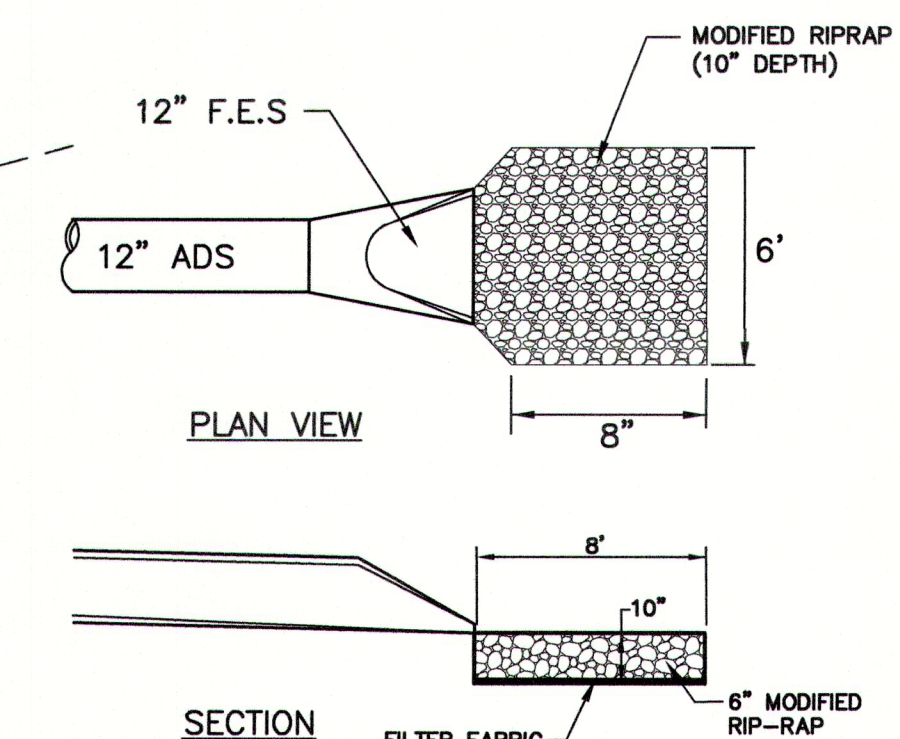


BITUMINOUS CONCRETE PAVEMENT DETAIL  
N.T.S.

BITUMINOUS CONCRETE LIP CURBING  
N.T.S.



CONCRETE SIDEWALK DETAIL  
N.T.S.

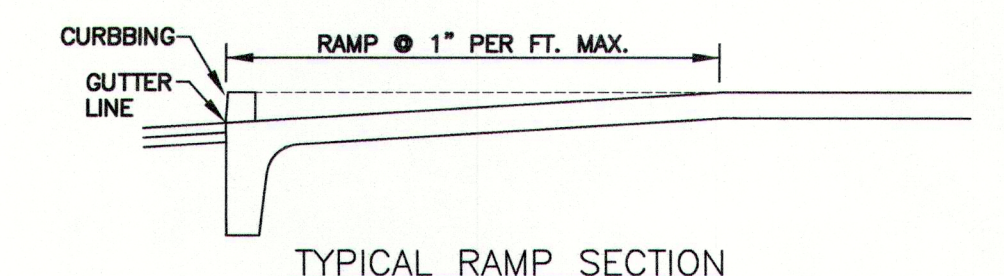


F.E.S. OFFFALL DETAIL  
N.T.S.

- GENERAL NOTES:**
- THE CONTRACTOR SHALL FAMILIARIZE HIMSELF WITH THE PLANS AND EXISTING SITE CONDITIONS AND BRING ANY ERRORS OR CONFLICTS TO THE ATTENTION OF THE DESIGN ENGINEER.
  - THE CONTRACTOR SHALL BE RESPONSIBLE FOR ANY UNFORESEEN FIELD CONDITIONS, INCLUDING ALL UNDERGROUND TANKS, UTILITIES AND CABLES (CUAPP CALL BEFORE YOU DIG), AND ANY DAMAGE OR ADDITIONAL COSTS RESULTING THEREFROM.
  - THE CONTRACTOR SHALL BE RESPONSIBLE FOR THE INSTALLATION AND MAINTENANCE OF ALL EROSION AND SEDIMENT CONTROL MEASURES NECESSARY TO INSURE THE PROPER PROTECTION OF ALL UNDISTURBED AND/OR DOWN GRADIENT AREAS.
  - ALL CONSTRUCTION SHALL BE IN CONFORMANCE WITH THE STANDARDS AND SPECIFICATIONS OF THE APPROPRIATE TOWN, STATE, AND/OR REGULATORY AGENCY. THESE STANDARDS AND SPECIFICATIONS SHALL SUPERSEDE ANY AND ALL CONFLICTING INFORMATION THAT MAY BE SHOWN ON THE PLANS.
  - THE CONTRACTOR SHALL BE RESPONSIBLE FOR OBTAINING OR VERIFYING THE EXISTENCE OF ANY AND ALL LOCAL, REGIONAL AND/OR STATE APPROVALS AND PERMITS REQUIRED FOR THE CONSTRUCTION, INCLUDING ANY AND ALL INSPECTIONS REQUIRED THEREOF.

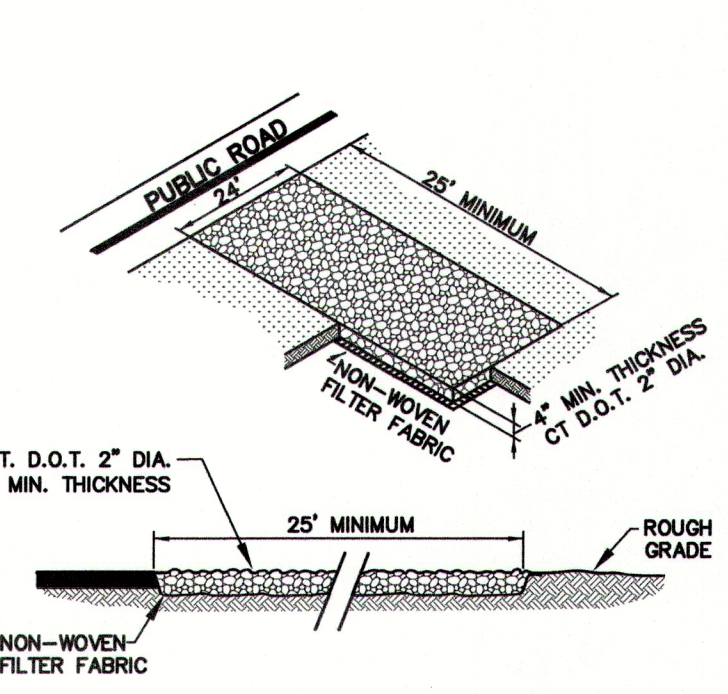
**GENERAL EROSION & SEDIMENT CONTROL NOTES:**

- THE AMOUNT OF LAND DISTURBANCE, AT ANY ONE TIME, SHALL BE KEPT TO A MINIMUM; WITH RESTABILIZATION OF DISTURBED AREAS SCHEDULED AS SOON AS POSSIBLE.
- EROSION AND SEDIMENT CONTROL MEASURES SHALL BE INSTALLED PRIOR TO ANY CONSTRUCTION AND AFTER INSPECTION BY THE ZONING ENFORCEMENT OFFICER.
- ALL EROSION AND SEDIMENT CONTROL MEASURES SHALL BE INSTALLED IN ACCORDANCE WITH THE STANDARDS AND SPECIFICATIONS OF THE 2002 CONNECTICUT GUIDELINES FOR SOIL EROSION AND SEDIMENT CONTROL HANDBOOK.
- ALL CONTROL MEASURES SHALL BE MAINTAINED IN EFFECTIVE CONDITION THROUGHOUT THE CONSTRUCTION PERIOD.
- ADDITIONAL CONTROL MEASURES SHALL BE INSTALLED DURING THE CONSTRUCTION PERIOD IF NECESSARY OR REQUIRED TO INSURE PROPER SEDIMENTATION CONTROL.
- STONE WHEEL-IMPACT PADS TO BE PROVIDED AS NECESSARY AT ALL CONSTRUCTION ENTRANCES IN ACCORDANCE WITH APPLICABLE MUNICIPAL REGULATIONS.
- SILT FENCE BARRIER TO BE INSTALLED ALONG THE TOP OF EXISTING SLOPES AS SHOWN ON THE PLAN.
- CATCH BASINS TO BE PROTECTED WITH WATTLE FILTERS THROUGHOUT THE CONSTRUCTION PERIOD AND UNTIL ALL DISTURBED AREAS ARE THOROUGHLY STABILIZED.
- SEDIMENT TO BE REMOVED FROM CONTROL STRUCTURES ON A REGULAR BASIS AND DISPOSED OF IN A MANNER WHICH IS CONSISTENT WITH THE MAINTENANCE GUIDELINES IN THE EROSION & SEDIMENT CONTROL HANDBOOK. SEDIMENT MAY BE BURIED ON SITE IN AREAS REQUIRING FILL OR MIXED WITH LOAM FOR USE IN THE ESTABLISHMENT OF LAWN AREAS.
- HAY MULCH SHOULD BE APPLIED AT THE RATE OF 100 POUNDS PER 1000 SQUARE FEET (1 1/2 BALES/1000 SQ. FT.) ON AREAS TO BE LEFT BARE FOR UP TO 30 DAYS. TEMPORARY SEEDING SHOULD BE USED ON THOSE AREAS LEFT OPEN FOR MORE THAN 30 DAYS.
- TEMPORARY SEEDING, WHERE REQUIRED, TO BE APPLIED IN ACCORDANCE WITH RECOMMENDATIONS OF THE EROSION & SEDIMENT CONTROL HANDBOOK TO ALL DISTURBED AREAS AS SOON AS PRACTICAL FOLLOWING THE COMPLETION OF CONSTRUCTION.
- SEEDING MIXTURES SHALL BE IN COMPLIANCE WITH CHAPTER 6 OF THE NEW "CONNECTICUT GUIDELINES FOR SOIL EROSION AND SEDIMENT CONTROL". TEMPORARY SEEDING SHALL BE USED WHEN THE GROWING SEASON REMAINING IS LESS THAN 60 DAYS. PERMANENT SEEDING SHALL BE USED WHEN MORE THAN 60 DAYS REMAIN. FOR SEASONS WHEN SEEDING IS NOT POSSIBLE, SUCH AS WINTER OR THE DRY, MIDDLE OF THE SUMMER, MULCH SHALL BE USED AT THE RATE OF TWO TONS PER ACRE. PERMANENT SEEDING SHALL BE PLANTED IN AREAS OF MULCH AND TEMPORARY SEEDING AREAS AS SOON AS THE SEASON PERMITS AND AS APPROVED BY THE TOWN ENGINEER.
- THE PARTY POSTING ANY PERFORMANCE BOND IS ASSIGNED THE RESPONSIBILITY OF IMPLEMENTING THIS EROSION & SEDIMENT CONTROL PLAN. THIS RESPONSIBILITY INCLUDES THE INSTALLATION AND MAINTENANCE OF CONTROL MEASURES, INFORMING ALL PARTIES ENGAGED ON THE CONSTRUCTION SITE OF THE REQUIREMENTS AND OBJECTIVES OF THE PLAN, NOTIFYING THE PLANNING & ZONING OFFICE OF ANY TRANSFER OF THIS RESPONSIBILITY, AND FOR CONVEYING A COPY OF THE EROSION AND SEDIMENT CONTROL PLAN IF TITLE TO THE LAND IS TRANSFERRED.
- THE RESPONSIBILITY PARTY IS DENISE REYNOLDS (203) 214-2301.



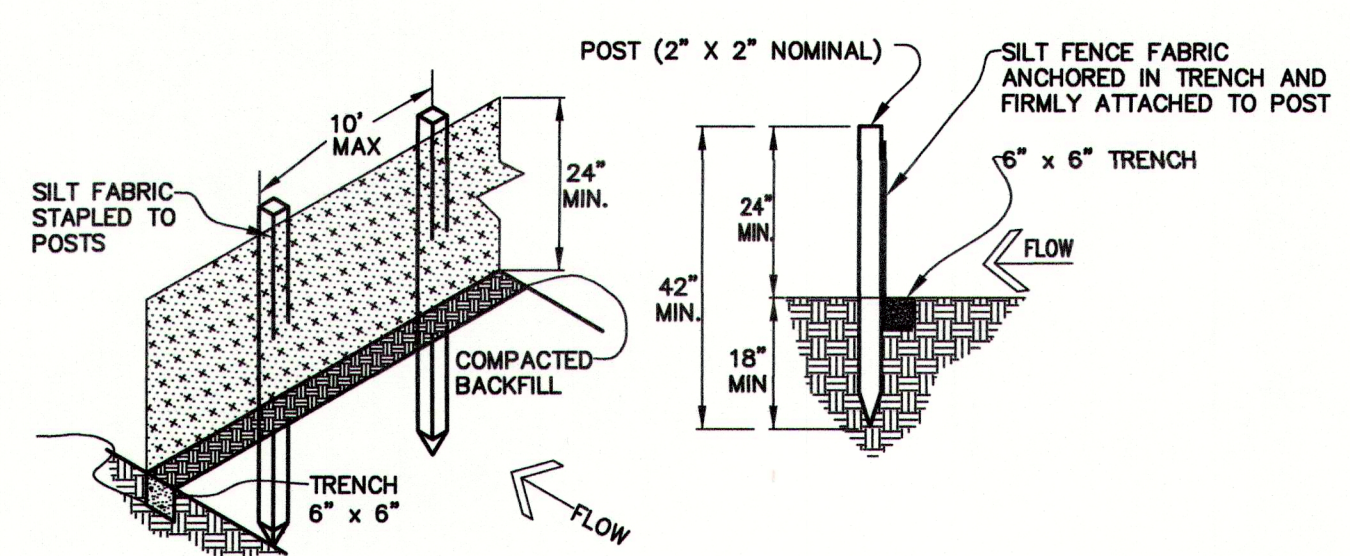
TYPICAL RAMP SECTION

SIDEWALK RAMP DETAILS  
N.T.S.

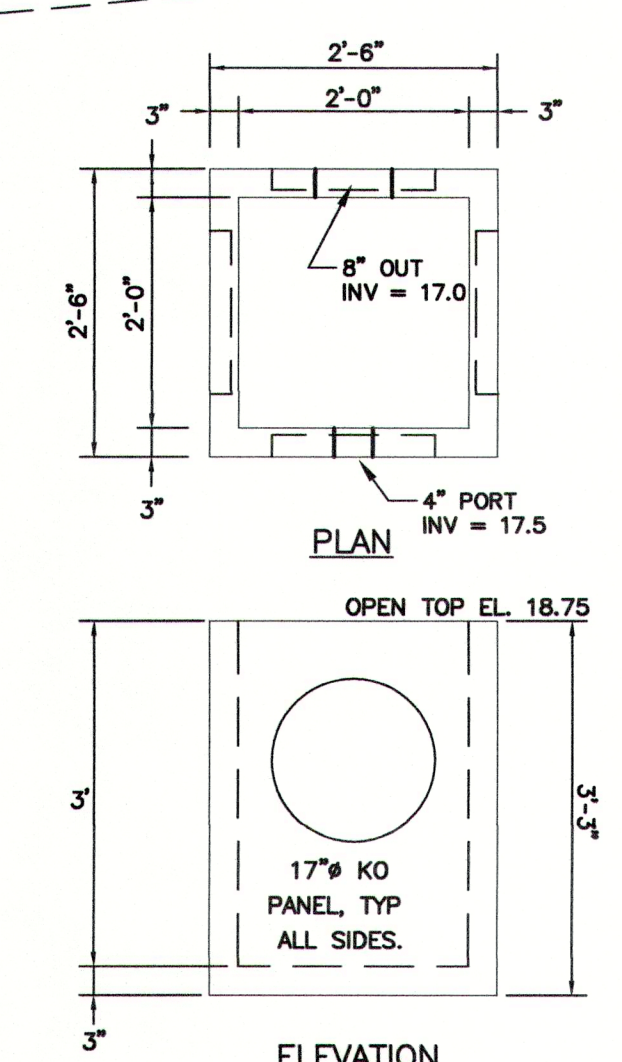


ANTI-TRACKING PAD  
N.T.S.

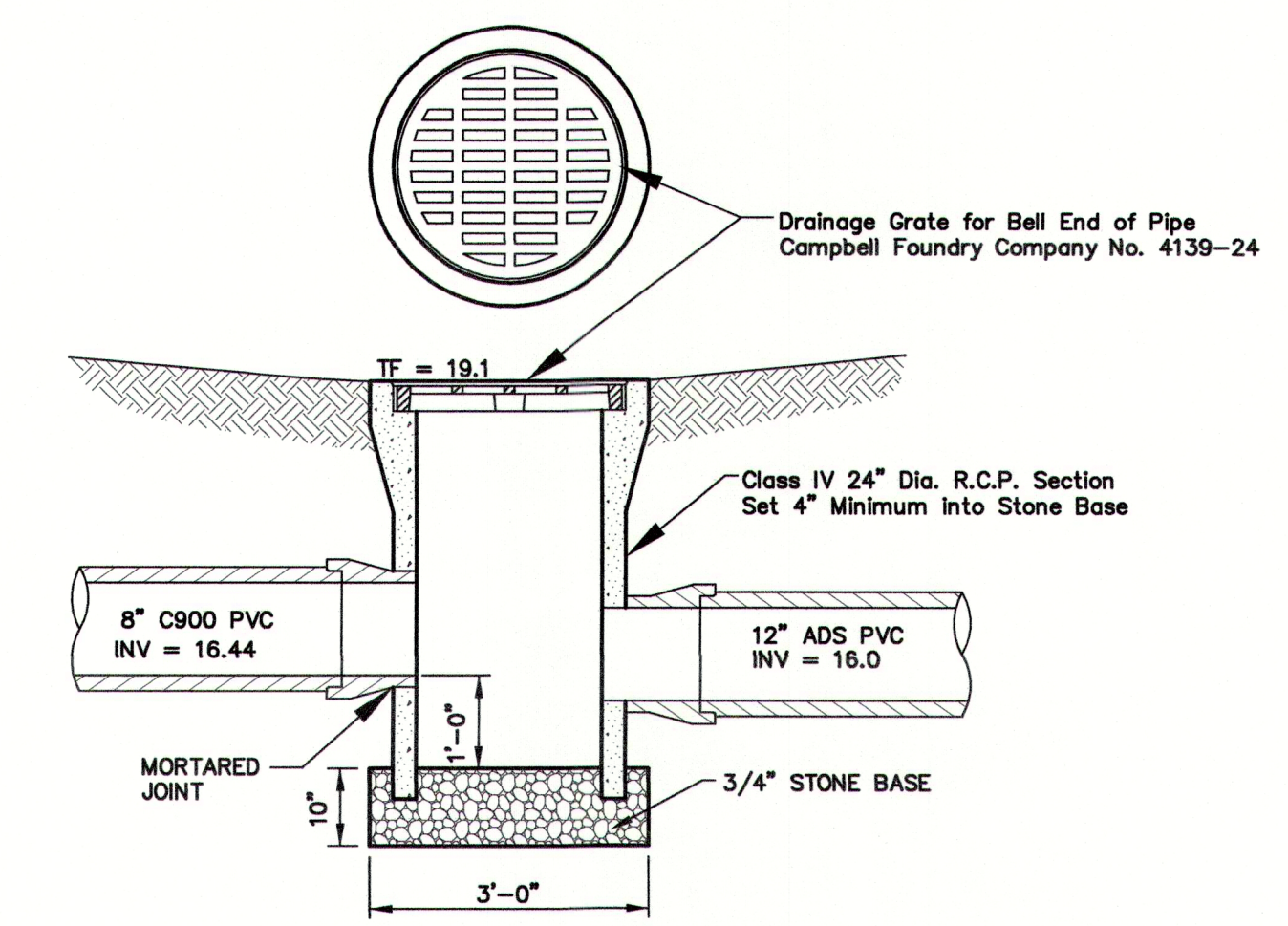
NOTE: TO BE USED AT MAIN CONSTRUCTION ENTRANCE TO SITE



SYNTHETIC FILTER BARRIER (SILT FENCE)  
N.T.S.



OUTLET STRUCTURE  
N.T.S.



YARD DRAIN DETAIL  
N.T.S.

**SITE GRADING & UTILITY PLAN**  
B.P.O.E. NEW HAVEN #25  
**80 OLD BROADWAY WEST**  
NORTH HAVEN CONNECTICUT  
SCALE: 1" = 20' DATE: MAR. 5, 2021



GEORGE T. COTTER PE# 10148  
PRINCIPAL ENGINEER CW INTERNATIONAL LLP

